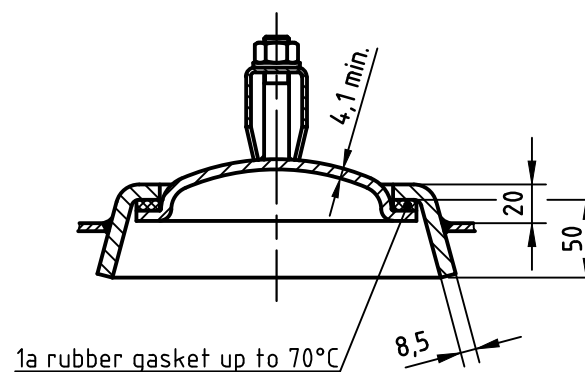
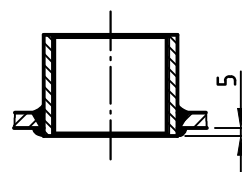


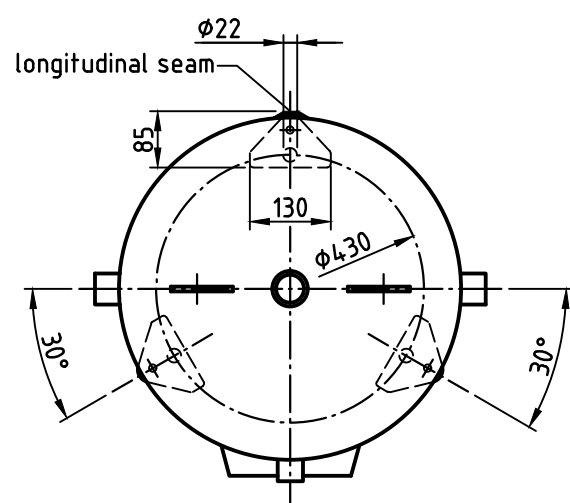
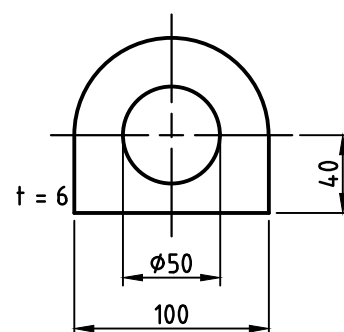
OAB 51 - handhole lock 100/150
tested components



socket welding
drain and plug socket
inside flush



carrier eye



SEAMS (unless otherwise indicated on drawing):		
longitudinal seam	socket-/flangeweldings	circumferential seams
		beadseams only up to 8mm wall thickness of bottoms cyl. brim > 3,5 x wall thickness of bottoms

pressure variation :
pressure swing 0-11 bar max. operations 1.000
infinite operation of pressure swing within 20% of 11 bar
operational characteristics / calculation characteristics :
volume V (litre) : 350
max. working pressure PS (bar) : 11
test pressure PT (bar) : 15,73
min. working temp. TS (°C) : -20
max. working temp. TS (°C) : 50
fluid : compressed air (fluid group 2)
location : inside and outside building possible

coating :		
inside : raw	or:	inside : hot dip galvanized
outside : primed (if customer wishes lacquered)		outside : hot dip galvanized

manufacturing and testing
acc. to PED 2014 / 68 / EU - AD 2000

conformity benchmark :	
fluid group : 2	category : IV
diagram : 2	module : H1

scale:	1:12.5
our no.:	-
order no.:	-
used for:	M+B Standardvessel
weight:	ca.130 kg
sheet:	1
of sheet:	1
date of plot:	10.06.2015
file:	ENG-010672

description: pressure vessel upright 350 l 11 bar	drawing no.:	revision:
drawing no. of design inspection:	date of revision:	revision only on CAD