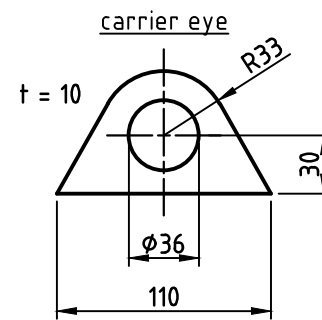
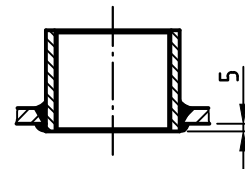
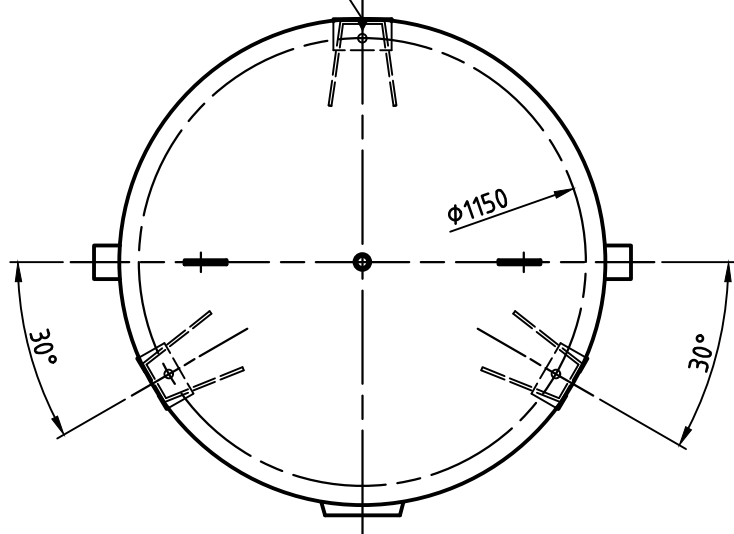


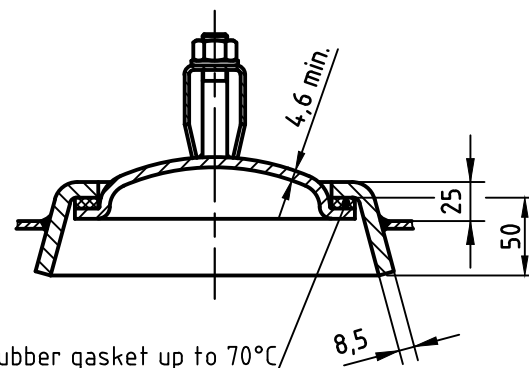
socket welding
 drain and plug socket
 inside flush



longitudinal seam



OAB 51 - handhole lock 100/150
 tested components



1a rubber gasket up to 70°C

SEAMS (unless otherwise indicated on drawing):		
longitudinal seam	socket-/flangeweldings	circumferential seams
		beadseams only up to 8mm wall thickness of bottoms cyl. brim > 3,5 x wall thickness of bottoms

pressure variation :
pressure swing 0-16 bar max. operations 1.000
infinite operation of pressure swing within 20% of 16 bar
operational characteristics / calculation characteristics :
volume V (litre) : 3000
max. working pressure PS (bar) : 16
test pressure PT (bar) : 22,88
min. working temp. TS (°C) : -20
max. working temp. TS (°C) : 50
fluid : compressed air / nitrogen (fluid group 2)
location : inside and outside building possible

coating :
inside : raw
outside : primed (if customer wishes lacquered)

manufacturing and testing
acc. to PED 2014 / 68 / EU - AD 2000

conformity benchmark :	
fluid group : 2	categorie : IV
diagram : 2	module : H1

scale:	1:20
our no.:	-
order no.:	-
used for:	M+B Standardvessel
weight:	ca. 850 kg
sheet:	1
of sheet:	1
date of plot:	17.06.2015
file:	ENG-010745

description: pressure vessel upright 3000 l 16 bar	drawing no.: MB 020103-2.3000G/E	revision: A
		date of revision: 17.06.2015
drawing no. of design inspection: MB 020103-2	revision only on CAD	